

GAYLE CROISSANT-MADDEN

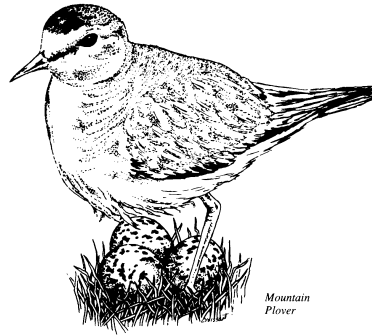
302 Whitclerm Drive

Palo Alto, CA 94306

650-494-0575 gayle@airjam.com

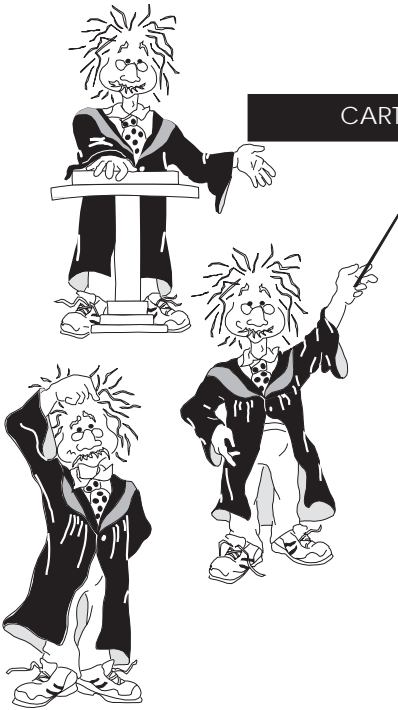
SAMPLE SHEET

NATURE ILLUSTRATIONS

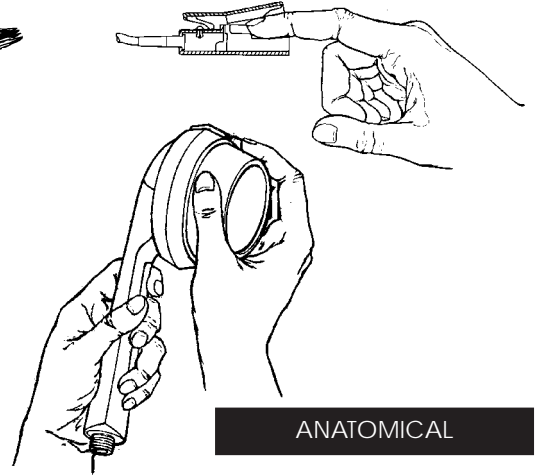


Mountain Plover

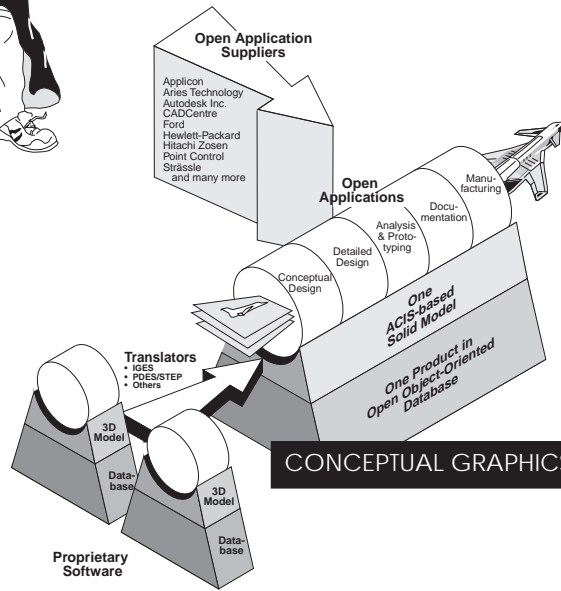
CARTOONS



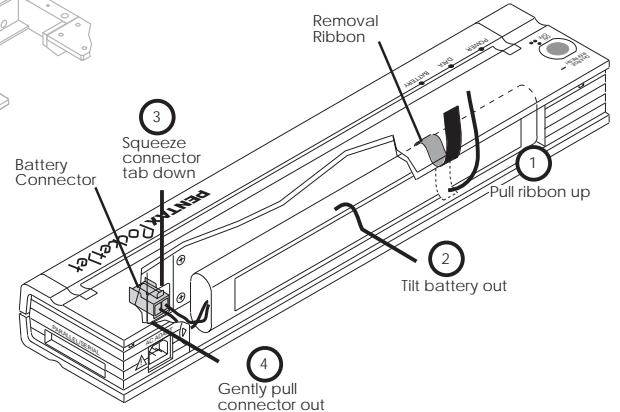
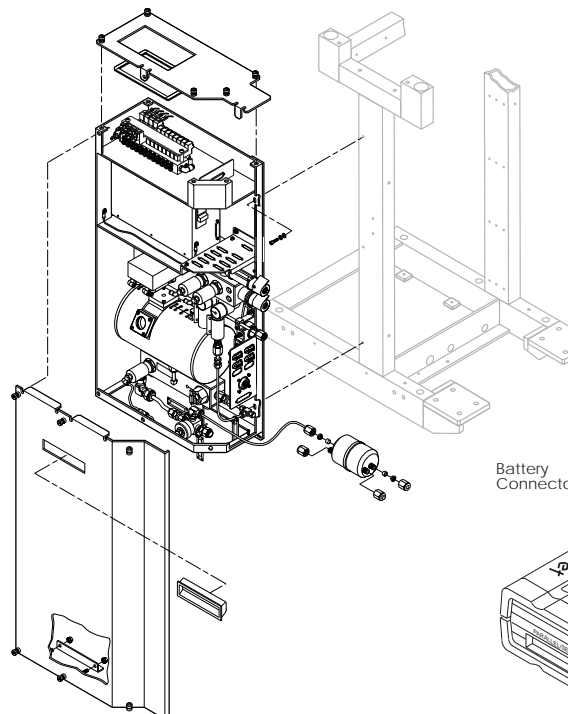
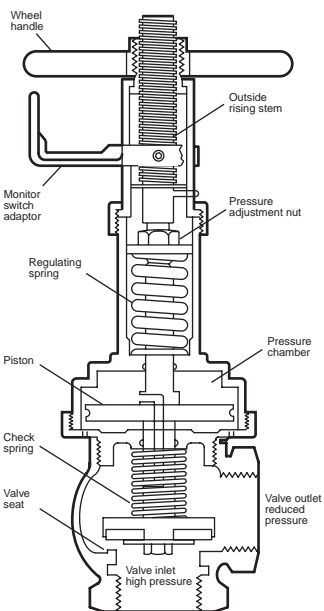
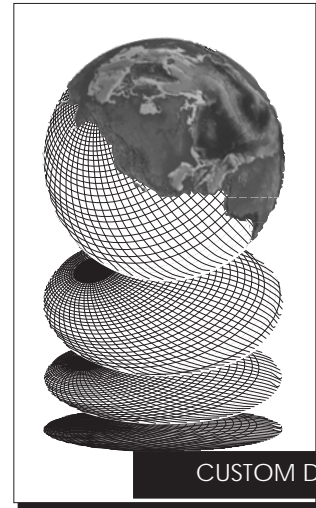
ANATOMICAL



CONCEPTUAL GRAPHICS



CUSTOM DESIGN



TECHNICAL ILLUSTRATIONS